

ADVANCE DATA

M E C H A N I C A L D A T A

Base: B8-32 Octal
 Reflector Terminal: C1-1 Small Cap
 Mounting Position: Any
 Waveguide Output: Mates with UG343/u

G E N E R A L D A T A

Frequency 6125 to 6425 mc
 Mechanical Tuning Range 300 mc
 Output Power 0.7 to 1.7 w
 Electronic Bandwidth 30 to 60 mc
 Modulation Sensitivity 275 to 500 kc/volt
 Beam Modulation Sensitivity 125 kc/volt
 Reflector Voltage 0 to 1000 volts
 Tuning (approx.) 650 mc/turn

E L E C T R I C A L D A T A

MAXIMUM RATINGS

Heater Voltage 6.3 volts
 Beam Current 80 ma
 Reflector Voltage 1000 volts
 Beam Voltage 750 volts

TYPICAL OPERATION CONDITIONS

Heater Voltage 6.3 volts
 Heater Current .80 amps
 Beam Voltage* 750 volts
 Beam Current 70 ma
 Reflector Voltage 320 volts
 Frequency 6125 to 6425 mc
 Power Output (across band) (average) 1.0 watt
 Mode 3-3/4
 Bandwidth at Half Power Points 34 mc

*Beam Voltage may be reduced with consequent reduction in power - information upon request.

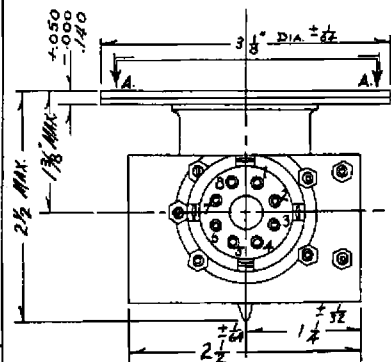
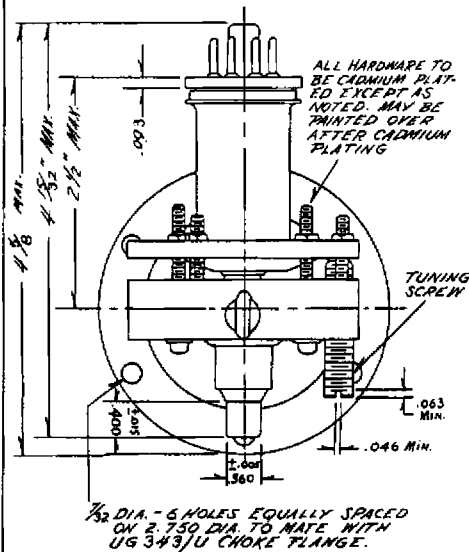
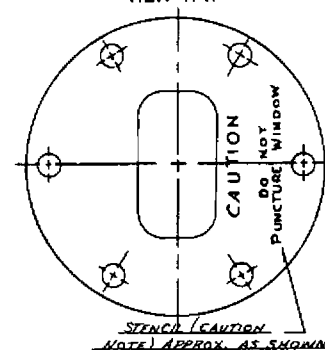
A P P L I C A T I O N D A T A

The Sylvania 6468 is designed as a CW oscillator for use in microwave relay link service or as a local oscillator with long life, good frequency temperature characteristics, controlled output impedance characteristics, and convenient tuning arrangements.

QUICK REFERENCE DATA

The Sylvania Type 6468 is an integral cavity, waveguide output, klystron covering the frequency range 6125 to 6425 megacycles.

VIEW A-A



AUGUST 16, 1954